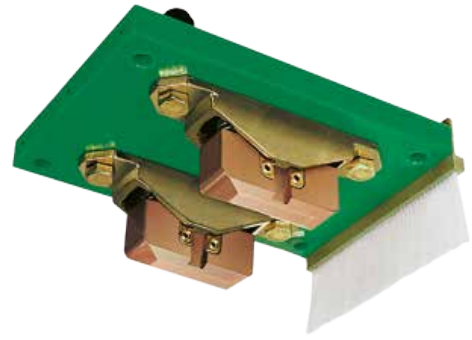
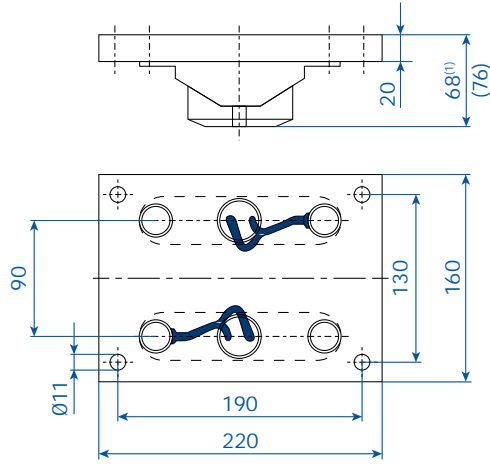




F > EB

Lhdhkfgb

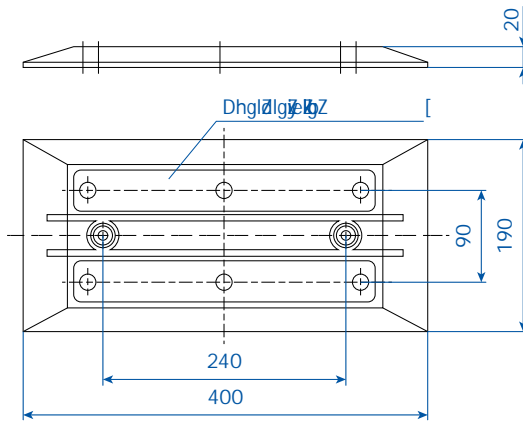
2nzu
 lhdajl200 A
 Bahepgucldhkfgb
 emkghghvghf
 mkhkf
 dhglz
 qscldhc



Lb	kl	Ažghc ghf
SA-BLS200-2-01	2.600	590000

Rdhevghdglz

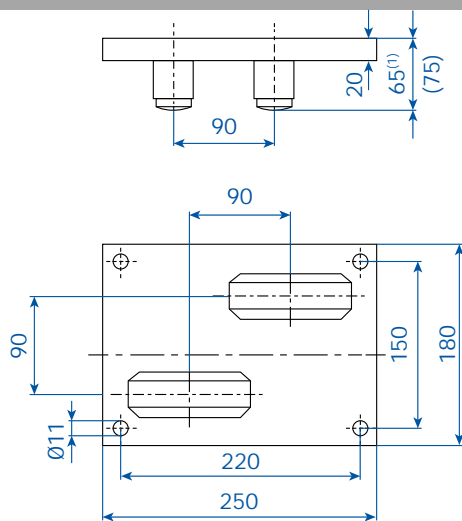
2nzu
 lhdajl200 A



Type	Weight kg	Order No.
BLK 200-2-01	2.200	590001

Lhdhkfgb

2nzu
 lhdajl200
 Bahepguc
 lhdhkfgb
 mkghghvghf
 mkhkf
 dhglz
 sldchihm
 lhphepdh
 ažhdhevgh
 dhglz

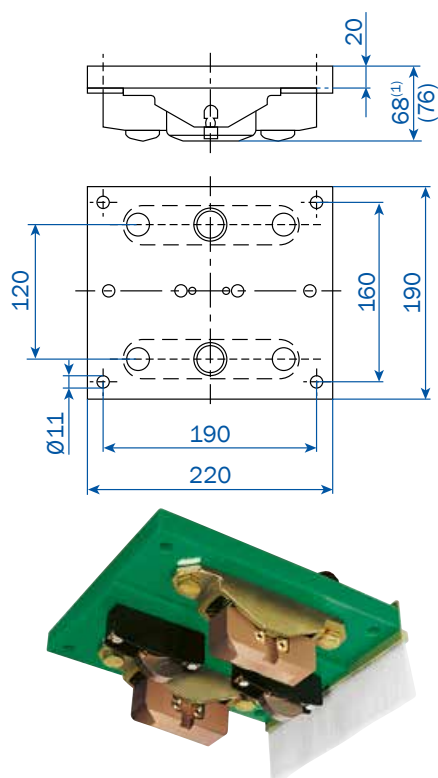


Lb	kl	Ažghcghf
SA-BLS200-2QU-01	3.025	590013

(1) mkghghvghf

Токосъемник

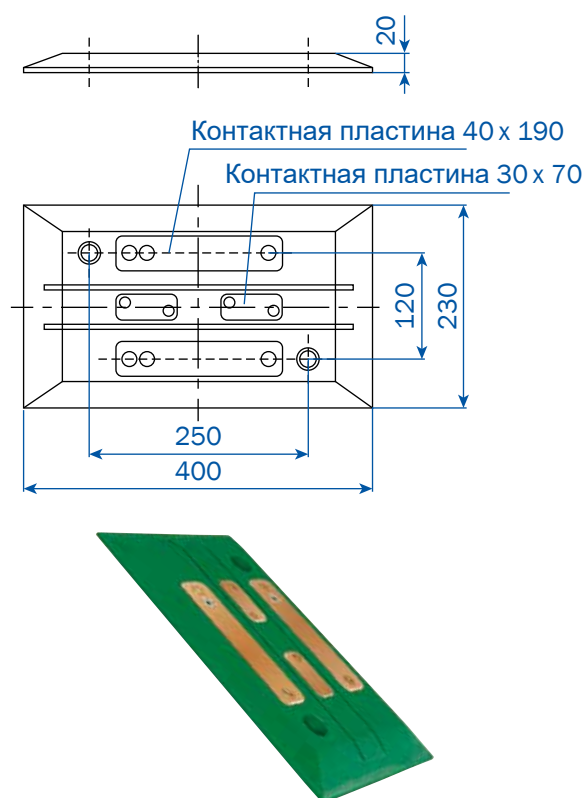
2 фазы, 2 пилотных контакта, ток зарядки 200 А
Изолированный токосъемник для установки на мобильном устройстве с двумя контактами для зарядки, двумя пилотными контактами и торцевой чистящей щеткой.



Тип	Вес, кг	Заказной номер
SA-BLS 200-2B/20-2-01	3.000	590198

Цокольный контакт

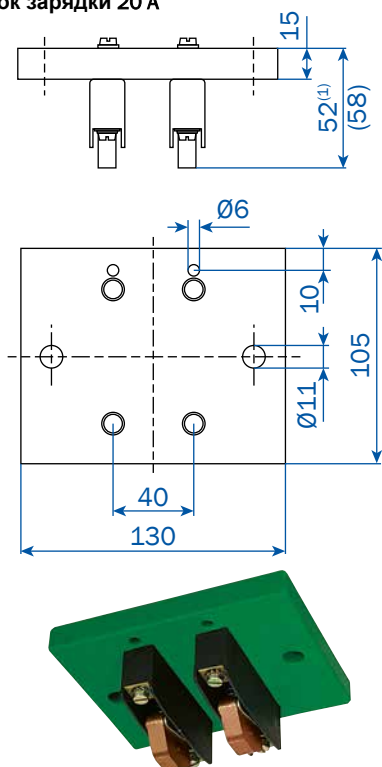
2 фазы, 2 пилотных контакта, ток зарядки 200А



Тип	Вес, кг	Заказной номер
BLK200-2/25-2-01	2.700	590062

Токосъемник

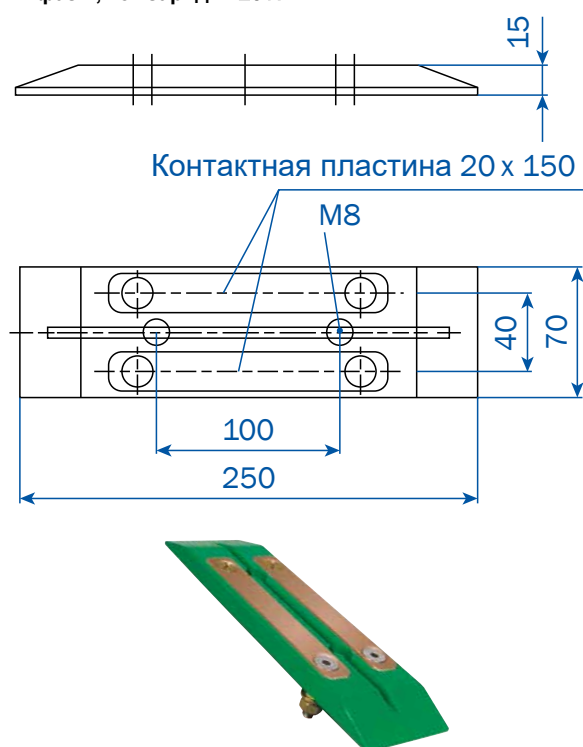
2 фазы, ток зарядки 20 А



Тип	Вес, кг	Заказной номер
SA-BLS20-20-01	0.310	590207

Цокольный контакт

2 фазы, ток зарядки 25 А



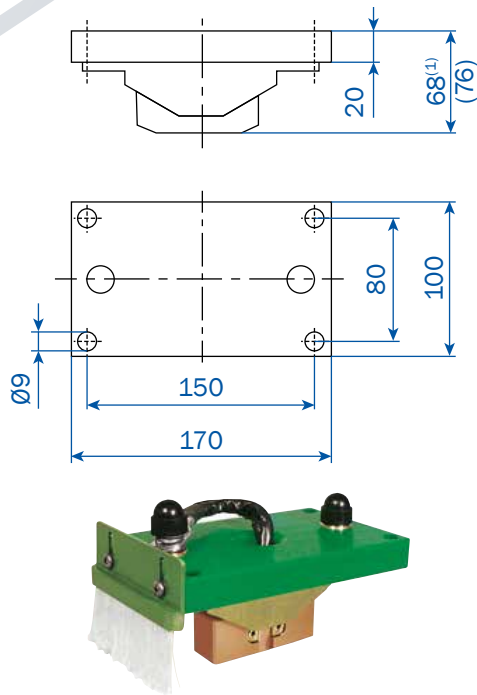
Тип	Вес, кг	Заказной номер
BLK25-2-01	0.590	590042

(1) Height at contact position

AGV-COLLECTOR

single-phase, charging current 200 A

Insulated collector for vehicle installation, with one contact brush and one bristle cleaning brush (to be used in pairs).

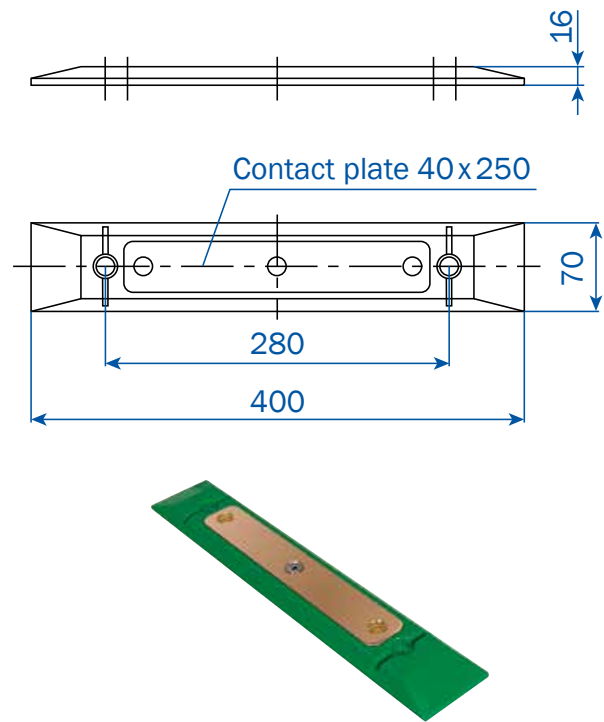


Type	Weight kg	Order No.
SA-BLS200-1-04	1.362	590035

AGV-BASE PLATE

single-phase, charging current 200 A

Insulated Floor contact plate, complete with single copper contact.

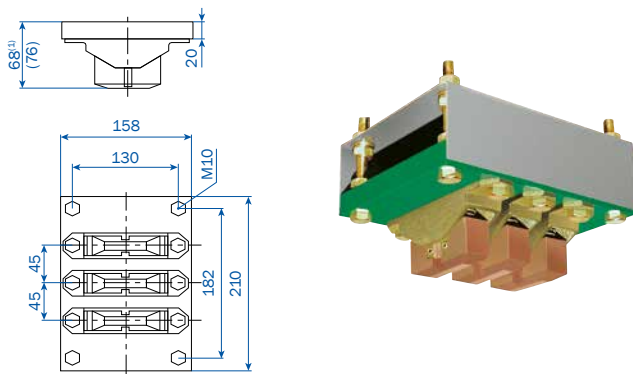


Type	Weight kg	Order No.
BLK 200-1-01 W	0.890	590036

AGV-COLLECTOR

single-phase, charging current 600 A

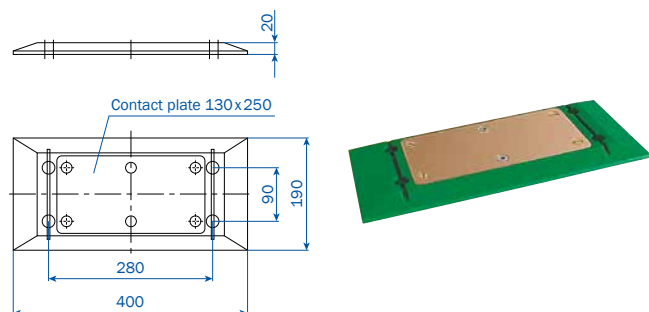
Insulated collector for vehicle installation, with three contact brushes and one bristle cleaning brush (to be used in pairs)..



Type	Weight kg	Order No.
SA-BLS600-1A0-01	4.100	590043

AGV-BASE PLATE

single-phase, charging current 600 A



Type	Weight kg	Order No.
BLK600-1-01	3.000	590044

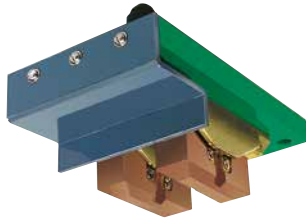
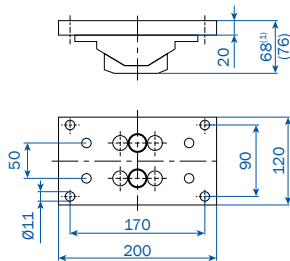
(1) Height at contact position

MODELS

AGV-COLLECTOR

22-phase, charging current 200 A

Insulated collector for vehicle installation, with two contact brushes and cover pusher.

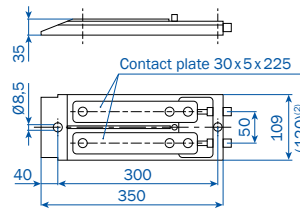


Type	Weight kg	Order No.
SA-BLS200-2E-01	2.260	590065

AGV-BASE PLATE

2-phase, charging current 200 A

Insulated floor contact plate with two copper contacts, spring loaded cover and 2 x 2 m connecting cables.



Type	Weight kg	Order No.
BLK200-2EA-01	3.926	590064

GENERAL INSTALLATION INSTRUCTIONS

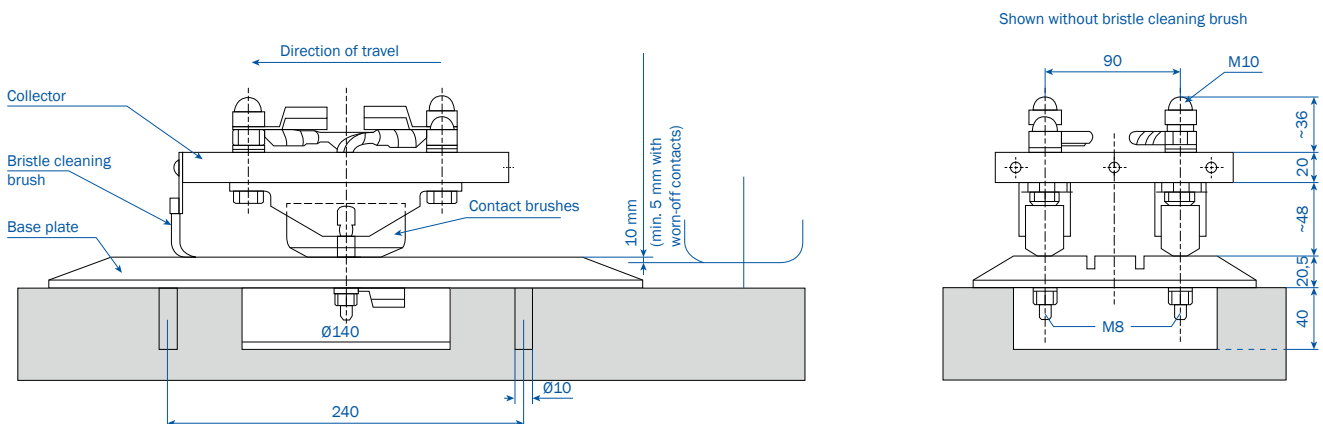
Install AGV-collectors on vehicle with bristle cleaning brushes in direction of travel.

Install AGV-Base Plate on top of the floor.

The *marked height 68 (65, 58) of AGV-Collectors type BLS is the dimension at contact position. Allowable tolerance: +2 mm

In order to guarantee sufficient contact pressure the max. wear reduction of the contact brushes is limited to 5 mm whereby the unevenness of the floor must be considered.

Between base plate and cutout at concrete floor a dust and waterproof sealing has to be installed.



(1) Height at contact position
(2) Dimensions incl. coverage



Paul Vahle GmbH & Co. KG

Westicker Str. 52
59174 Kamen
Germany

Tel.: +49 2307 704-0
Fax: +49 2307 704-444
info@vahle.de

www.vahle.com